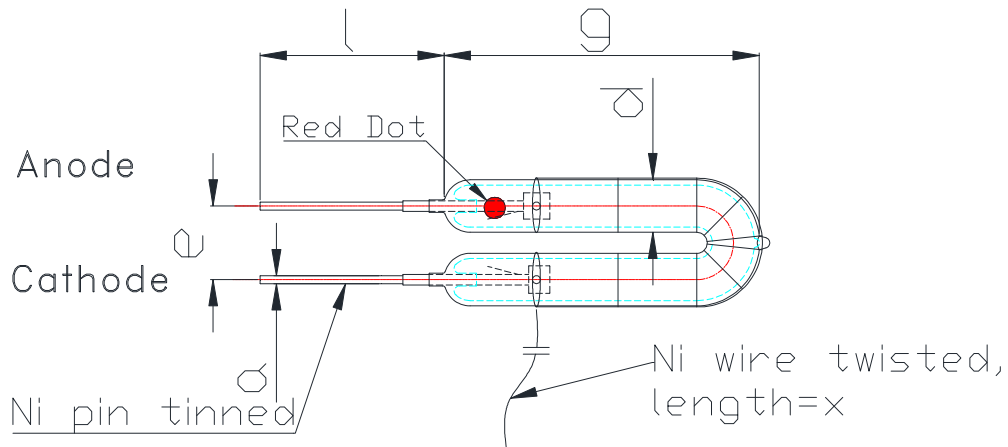


DEVICE NAME : DU 8902 (H)
Mechanical Data :

Date : 03/12/2021
ISSUED BY : Wang Heng
Rev Date : Index #:



Dimension(mm)

e	14 ± 1.0	l	40 ± 2	d	10 ± 0.5 dia
r		g	60 ± 2	x	100 ± 10
a	1.5 ± 0.2				

Polarity :

Without Colour Corrective Coating :

Remarks:

1. Envelope material: Q1
2. RoHs compliant

Operating Data :

Max. Power Pmax/W		Trigger coil TR	ZS 1052 (H)
Nom. Power Pnom / W		Trigger capacitor Cz/μF	0.22
Max. flashenergy Emax/Ws		Min. trigger voltage Uz min/V	200
Nom. flashenergy Enom/Ws	500	Trigger contact S	SCR
Max. anode voltage Uamax/V	800	Flash frequency/Hz	
Nom. anode voltage Uanom/V	750	Life/Number of flashes/N	TBD *
Min. anode voltage Uamin/V	650	Repetition rate trep/ s	TBD *
Nom.flash capacitor CB/ μF		Sec trigger voltage Uz sec / KV	- ve
Light reduction after life/ %		(Unloaded)	

Remarks :

*Need to be determined for specific application