

## Cure Ring Optical Accessory

### 360° of Curing Power

Cure Ring technology allows a light guide 360° of curing power. The standard ring for use with liquid light guides is available in solid or slotted versions. Cure Rings are ideal for bonding a number of medical devices such as catheters and tubes, cables or any other parts that require 360° curing.

---

Available in solid or slotted versions

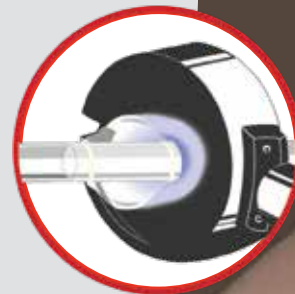
---

Provides a 360-degree beam of light

---

Couples to standard OmniCure® Liquid Light Guides and High Power Fiber Light Guides

---



# OmniCure Cure Ring Optical Accessory

## Applications

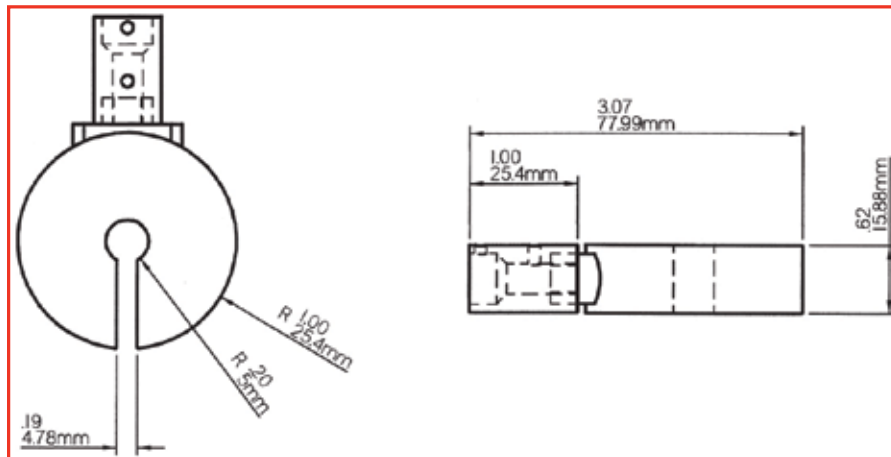
This optical accessory is ideal for applications including:

- Connectorizing fibers
- Tubing or cable to connector bonding
- Catheter bonding

SPECIFICATIONS	
DESCRIPTION	
Fiber	Randomized fiber bundle split into ten nodes for the solid Cure Ring and nine nodes for the slotted version (Numerical Aperture = 0.22)
Throughput	Approximately 30% of the output of a single liquid filled light guide
Uniformity	+/- 10% across the nodes
PART NUMBER	PRODUCT DESCRIPTION
810-00048	Cure ring, slotted, 63.5 mm OD, 10 mm ID for 5 mm LG Typical delivery time: 10 to 12 weeks
810-00049	Cure ring, no-slot, 63.5 mm OD, 10 mm ID for 8 mm LG Typical delivery time: 10 to 12 weeks
810-00050	Cure ring, no slot, 63.5 mm OD, 15 mm ID for 5 mm LG Typical delivery time: 10 to 12 weeks

## CURE RING DIMENSIONS:

All dimensions are shown in inches and millimeters. Dimensions relate to the standard OmniCure Cure Ring and are for the purpose of providing fixturing and clearance detail. Customized solutions are available upon request.



To learn more about OmniCure UV curing solutions, please visit [www.excelitas.com/omnicure](http://www.excelitas.com/omnicure).



[www.excelitas.com](http://www.excelitas.com)  
omnicure@excelitas.com

2260 Argentia Road  
Mississauga, Ontario  
L5N 6H7 CANADA

Telephone: +1 905 821-2600  
Toll Free (USA and CAN): +1 800 668-8752  
Fax: +1 905 821-2055